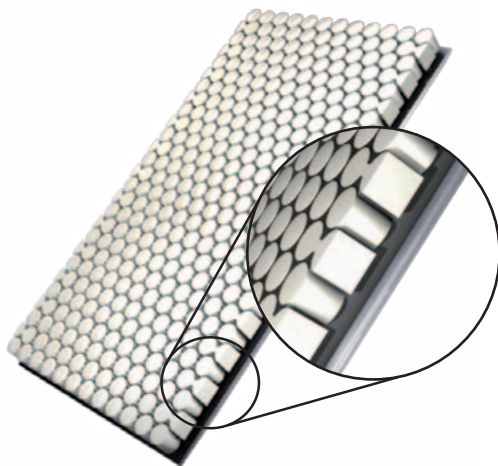
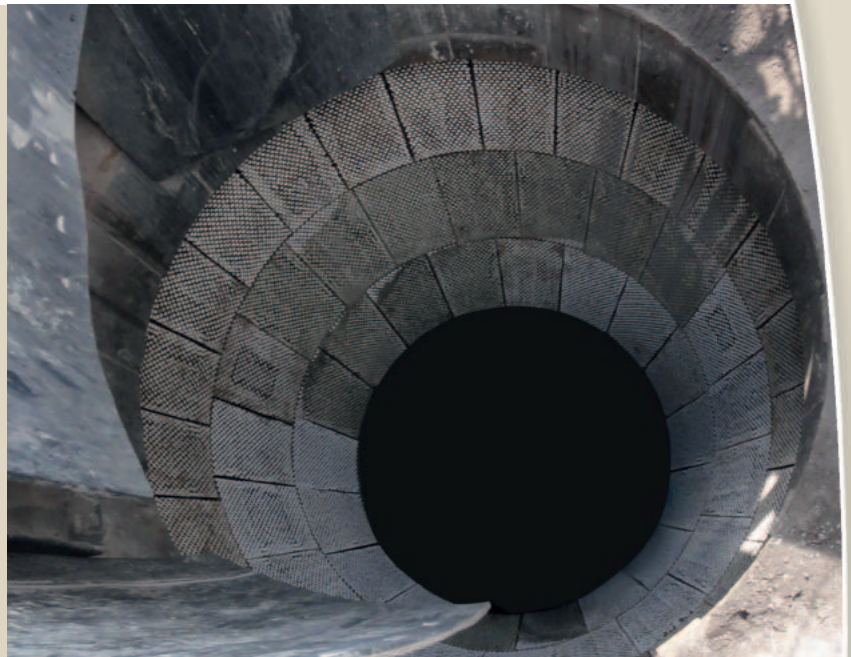


REMALOX HD 35

Our high-quality **REMALOX HD 35** segment plates provide optimum impact and wear protection. You avoid unnecessary cost for maintenance and downtime, thereby increasing the productivity of your machinery and equipment many times over.

Due to its composite construction **REMALOX HD 35** is especially suitable for applications, where in addition to abrasion, impact energy plays a major role. While the rubber matrix absorbs impact energy, vulcanized Al_2O_3 -ceramic cylinders protect the surface against abrasive wear. The additional metal layer on the underside enables easy fitting on the application areas. **REMALOX HD 35** segment plates have proven optimal performance in applications with high delivery volumes of broken material, long maintenance intervals and constructional unfavourable impact angles.



Typical field of use

- Material transfer stations
- Vibratory grinding machine
- Hopper lining
- Chute lining

Advantages

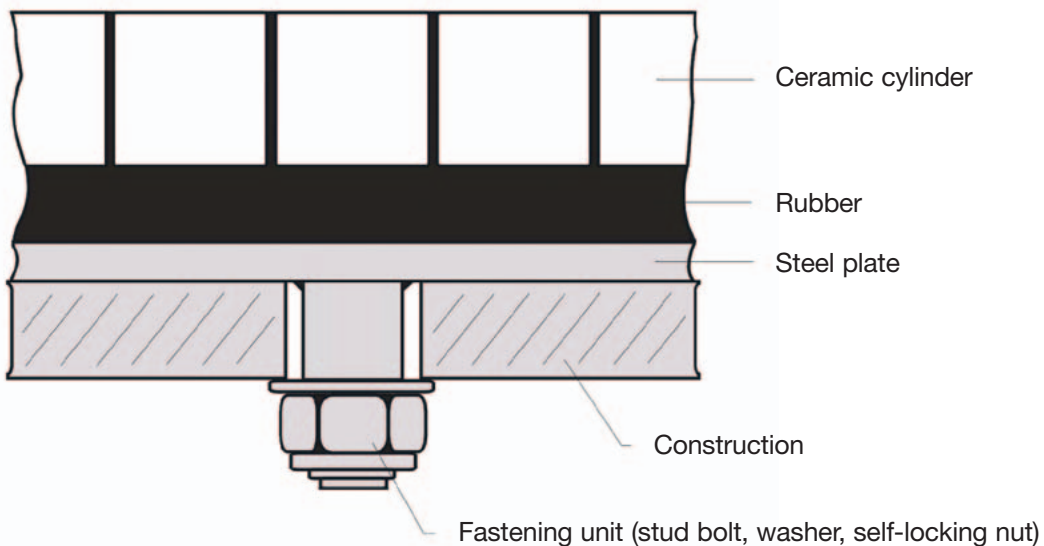
- Protection against extreme wear and impact due to composite construction
- Modified curb stones providing high stability
- Long service life
- Easy and fast installation
- Technical consultation and service on-site by trained **REMA TIP TOP** personnel

REMALOX HD 35

Technical properties

Reference Number	539 8980	539 8970
Dimensions (L X W X H)	500 x 500 x 35 mm	500 x 250 x 35 mm
Weight	26,0 kg	13,0 kg
Composition	5 mm steel sheet, 10 mm rubber, 20 mm ceramic cylinders with Ø 20 mm	

Fastening recommendation



REMA TIP TOP GmbH
Business Segment Material Processing

Gruber Strasse 63
85586 Poing
Germany

Phone: +49 8121 70710-245
Fax: +49 8121 70710-222
www.rema-tiptop.com

Your local contact: